

Ubiflux F300

Space saving heat recovery unit



➔ Introducing the Ubiflux F series mechanical ventilation with heat recovery units for installation predominantly in a suspended ceiling. There are two models available per unit size, for the 3000 m³/h units we have the F300 and F300+. The units are flat, quiet, and simple to install. Both models are also equipped as standard with a 100% automatic bypass and preheater. If desired, CO₂ and moisture sensors can be connected. The ventilation units can be installed in the ceiling void or on the wall to provide excellent indoor air quality in your home or office.

➔ Characteristics

- High ventilation rate of 300 m³ / h
- Easy to install
- Minimal installation height
- Constant flow control
- 100% summer bypass supplied as standard
- Frost Protection
- Filter indication
- Unlimited adjustable fan speed
- Remote control

➔ Optional Extras

- 4-position switch
- Wireless control
- CO₂ sensor (only F300+)
- Humidity sensor (only F300+)
- Pre-heater (External)
- Post-heater (only F300+)
- RH (humidity) sensor in general "Channel from the home"

Item number 100000888010 Ubiflux F300
Item number 100000888011 Ubiflux F300+

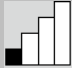



➔ Service

The control panel supplied as standard gives you complete freedom to adjust the F300 ventilation unit to your own preferences. The unit is equipped with a clearly readable display that shows you all the information necessary - fan speed, current time, activated program and filter indications are just some of the data available at a glance and without having to press a key.

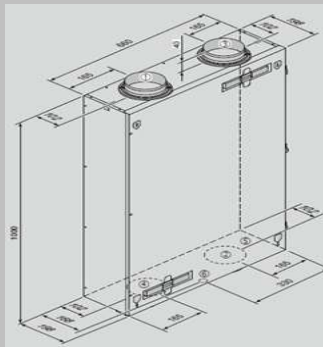
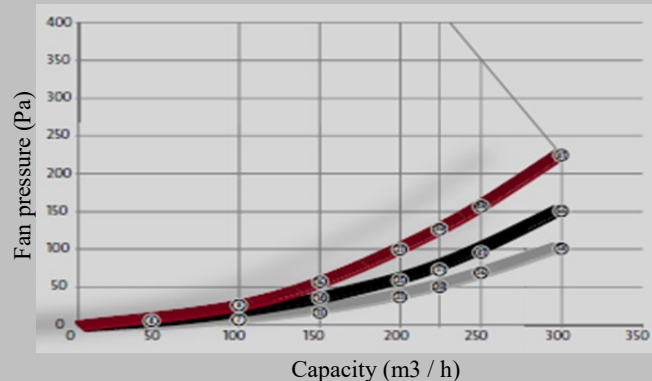


Ubiflux F300 units

Specifications

Dimensions of unit (L x W x H) [mm]	1185 x 644 x 310				
Weight [kg]	37				
Installation	In ceiling / on wall				
Connections of pipes [mm]	4 x 150mm / 160mm				
Water drain connection [“]	3/4				
Filter class	G4				
Power [V / Hz] supply voltage	230/50				
Fan setting factory settings with standard remote control					Maximum
Capacity [m ³ / h]	50	100	150	225	300
Acceptable air resistance [Pa]	2-6	13-38	22-66	35-105	50-150
Power consumption (excl. Pre-heater) W]	11-12	19-27	27-37	38-52	53-72
Power consumption (excl. Pre-heater) [A]	0.14-0.15	0.20-0.28	0.27-0.35	0.36-0.47	0.49-0.64
Power consumption (incl. Pre-heater) [A]	6 <40 db (A) at 225 m ³ / h and 75 Pa				
Water tightness level	IP30				
Item code	F300: 100000888010 / F300+ 100000888011				

Connections	F300 (Basic)	F300+ (Plus)
E-bus connection	Yes	Yes
4-position switch	Optional	Optional
Pre-heater (max. 1000 W)	Optional	Optional
Extra pre-heater or post-heater (max. 1000 W)	No	Yes
Programmable external switch contact (on / off or 0-10 V)	No	Yes
Extra 0-10 V input	No	Yes
0-10 V output	No	Yes
Earth sensor heat exchanger	No	Yes (1)
24 V output	No	Yes



(1) When the geothermal exchanger is connected, it is no longer possible to connect a post-heater to the Ubiflux.

* the values given in the graph are the power used (Watt) per fan.