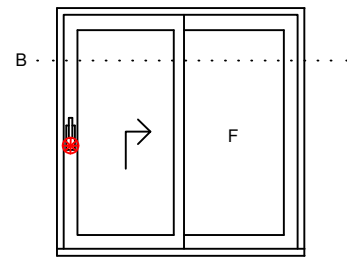
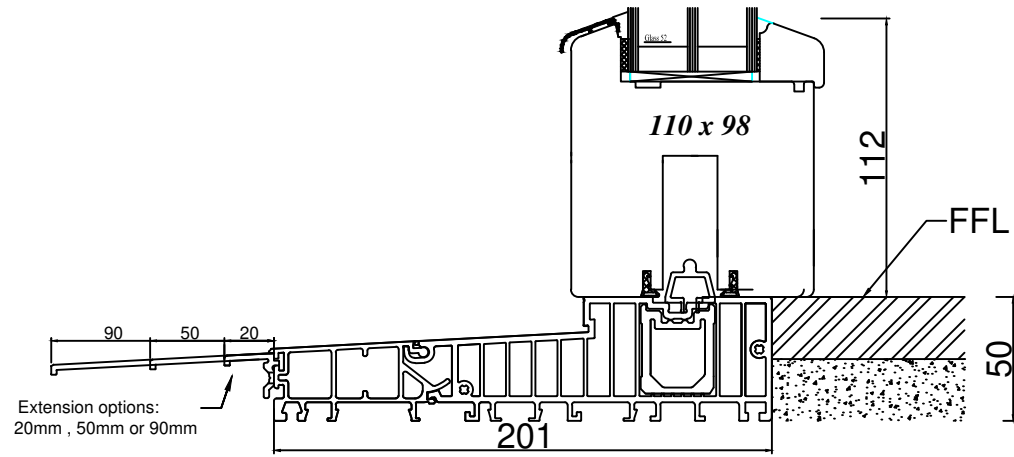
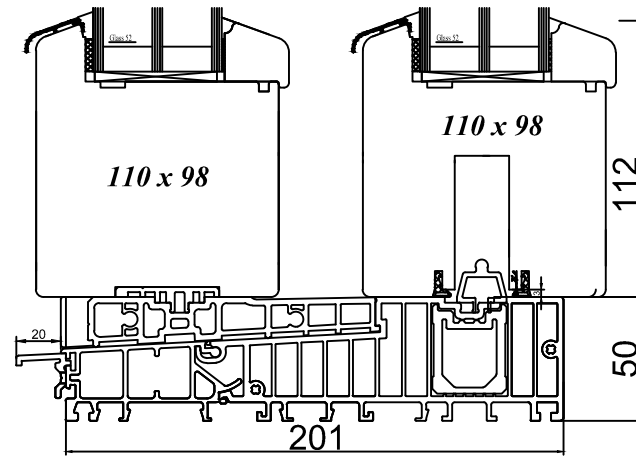
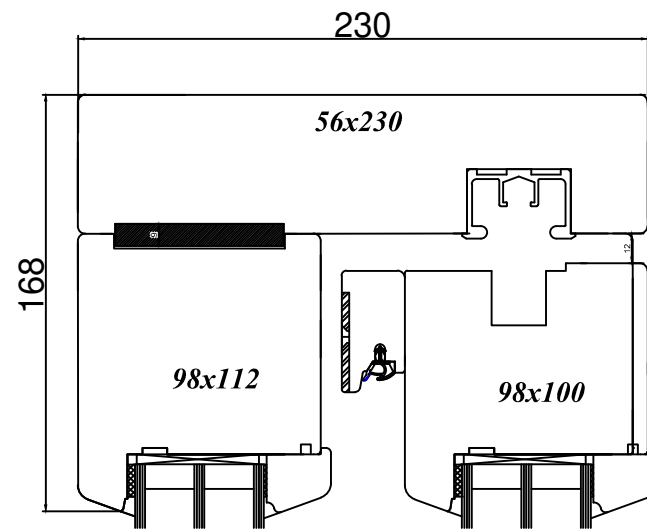
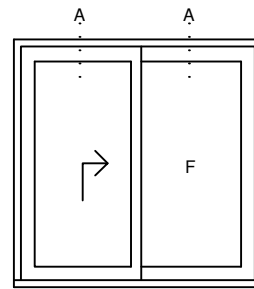
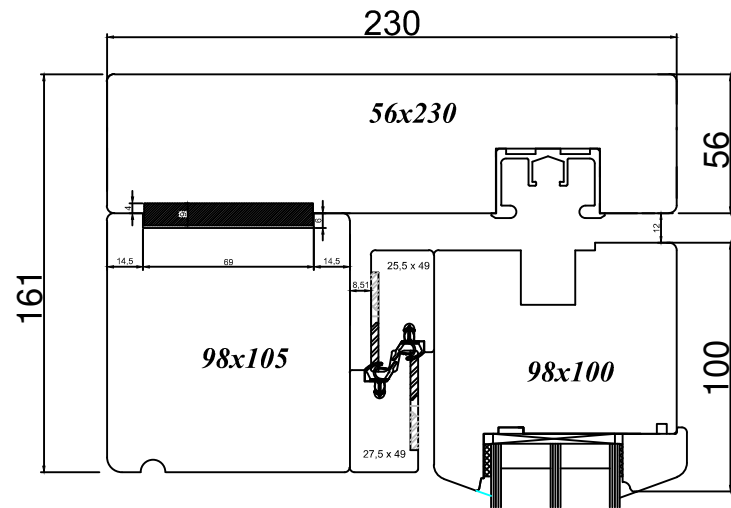
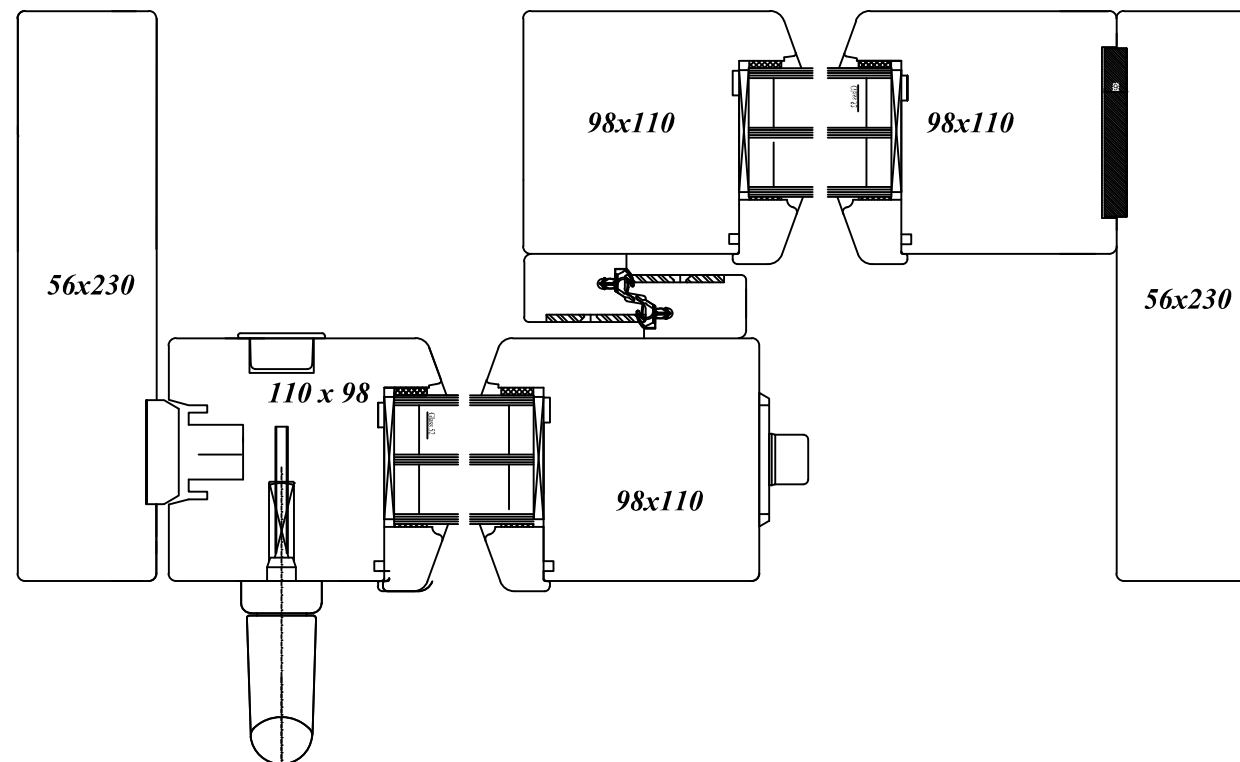


ULTRA range Lift and slides



⊗ Locking point



General Notes

DO NOT SCALE
Retention of Copyright: Environmental Construction Products Ltd retain the copyright of this document. Environmental Construction Products Ltd license the Purchaser to use and copy this document only for the Purchaser's own purposes subject to our Standard Conditions of Sale and to payment of all invoices according to agreed terms.

| | |
|---------------|----------------------|
| No. | Drawing Title |
| 01 | Ultra Lift and slide |
| Last updated: | 27/2/2019 LS |

green building store
 ® Windows Department
 Green Building Store
 Heath House Mill,
 Heath House Lane,
 Golcar, Huddersfield
 HD7 4JW
 Tel: 01484 463336
 Email: windowenquiries@greenbuildingstore.co.uk