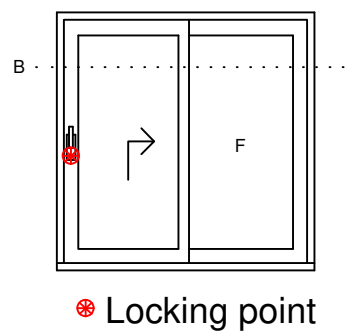
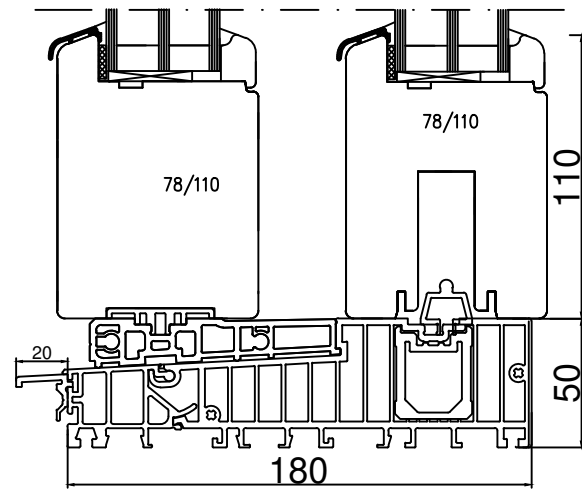
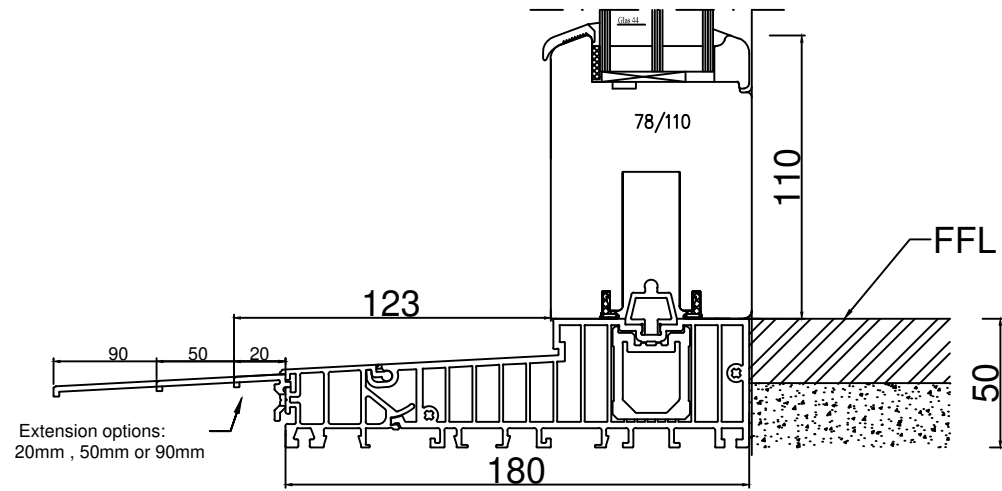
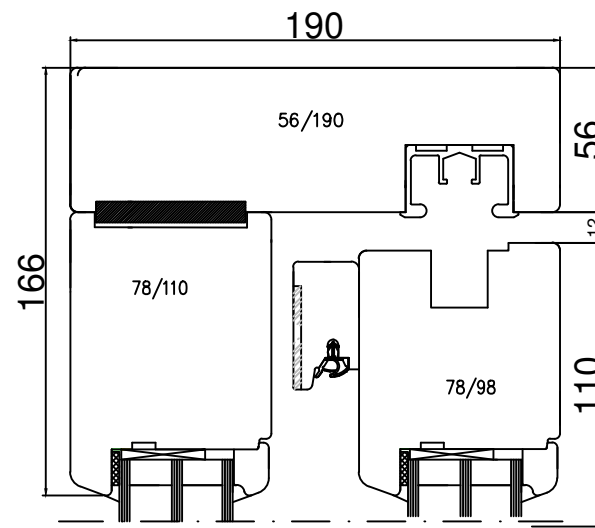
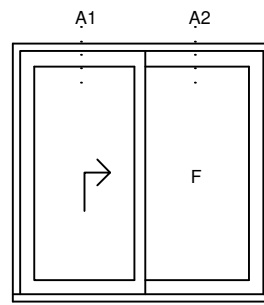
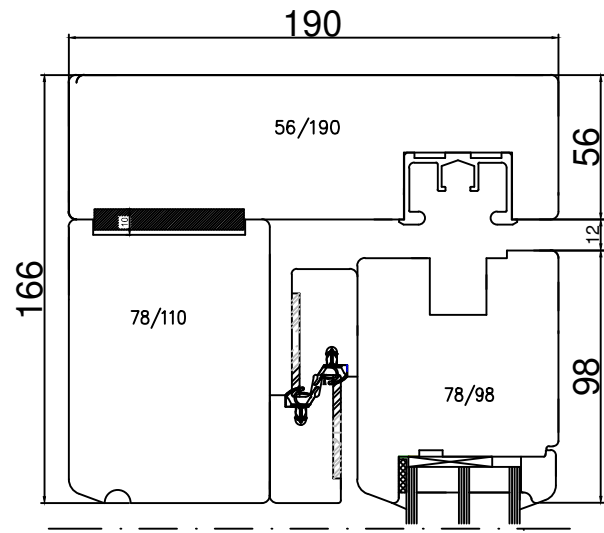
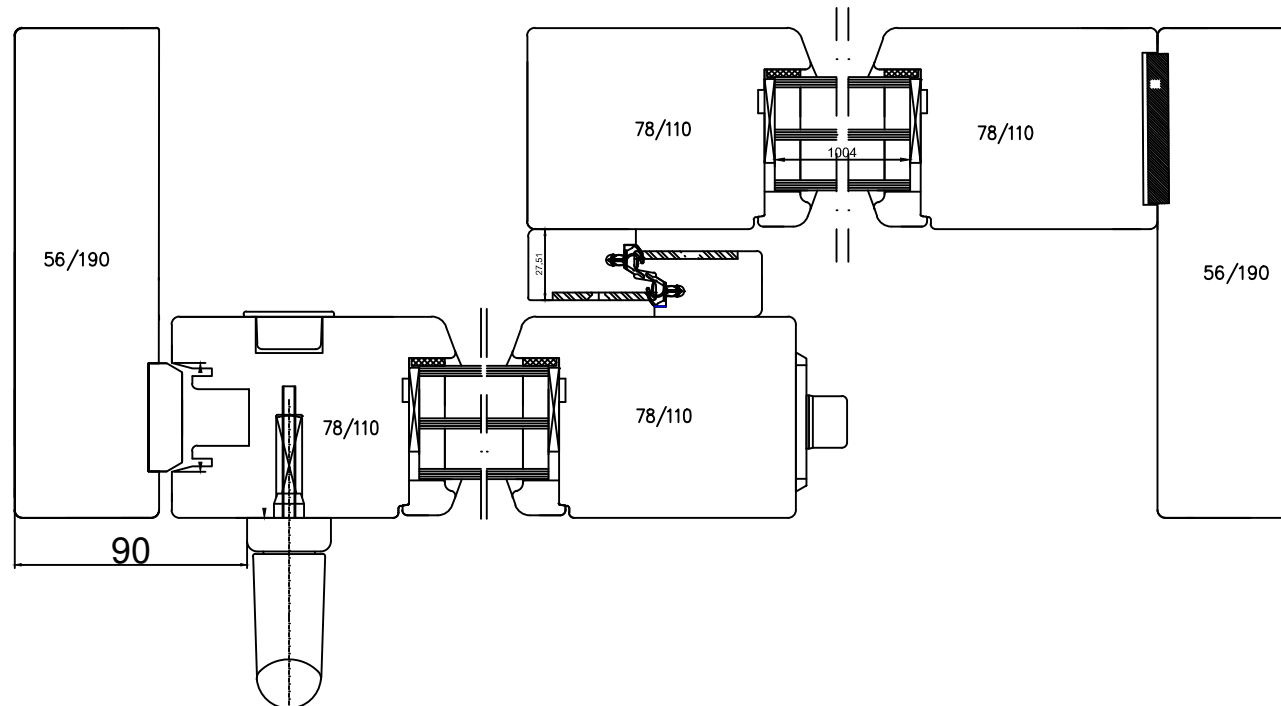


Performance range Lift and slide



⊗ Locking point



General Notes

DO NOT SCALE
 Retention of Copyright: Environmental Construction Products Ltd retain the copyright of this document. Environmental Construction Products Ltd license the Purchaser to use and copy this document only for the Purchaser's own purposes subject to our Standard Conditions of Sale and to payment of all invoices according to agreed terms.

No.	Drawing Title
01	Performance Lift and slide
Last updated:	27/2/2019 LS

green building store

Windows Department
 Green Building Store
 Heath House Mill,
 Heath House Lane,
 Golcar, Huddersfield
 HD7 4JW
 Tel: 01484 463336
 Email: windowenquiries@greenbuildingstore.co.uk

Lift and slide sections.dwg