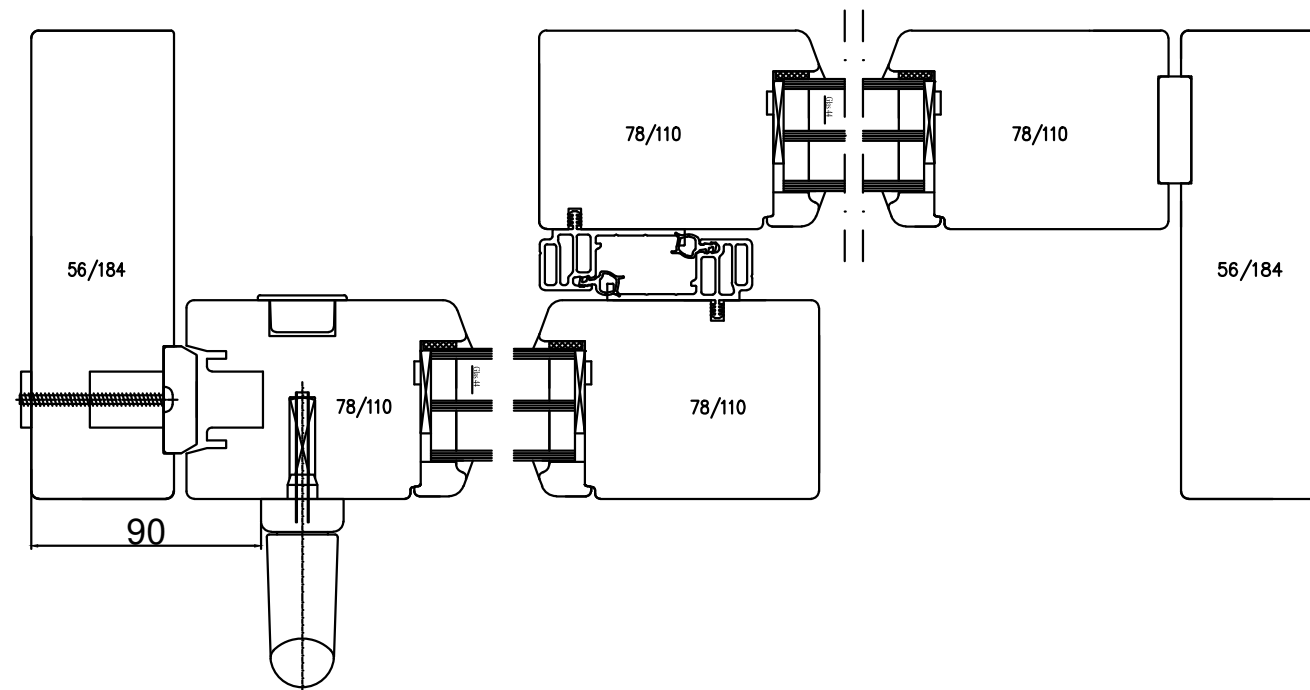
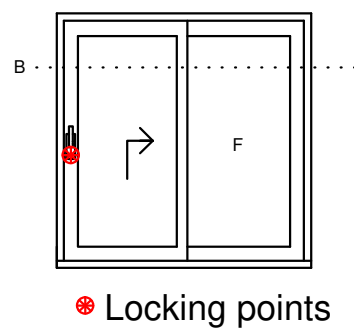
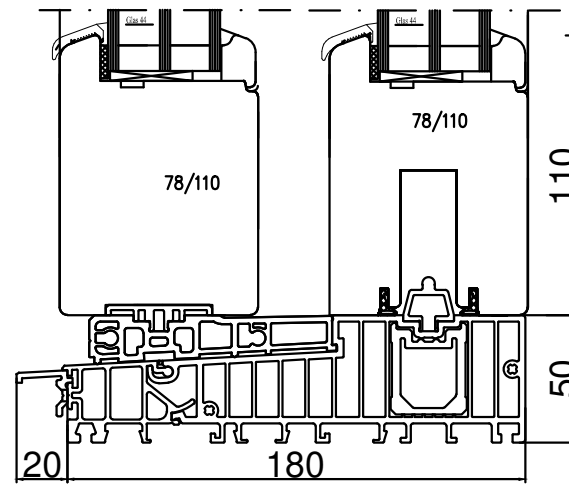
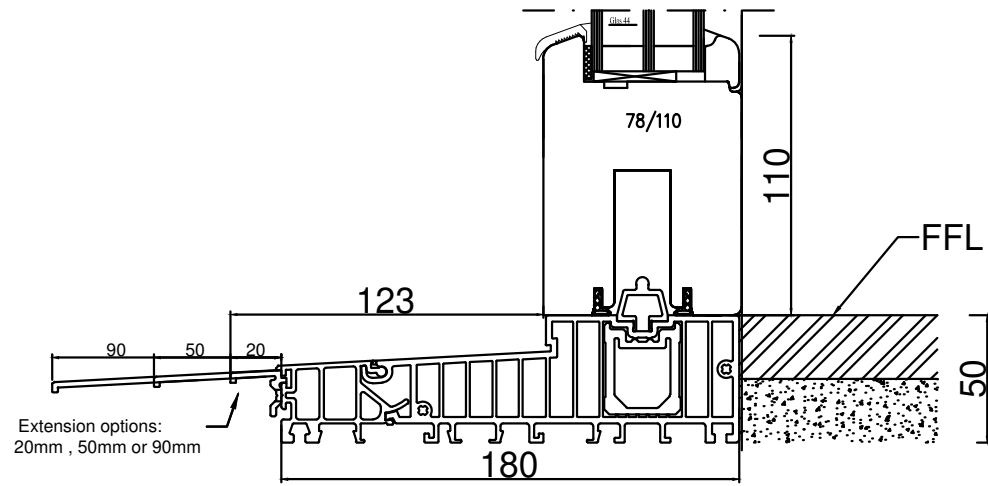
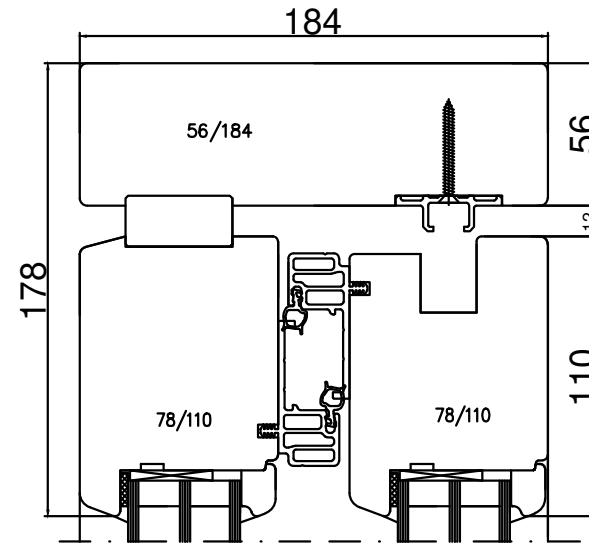
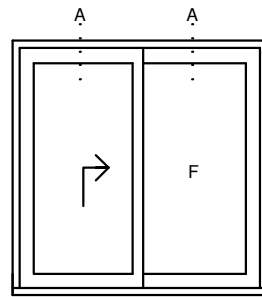
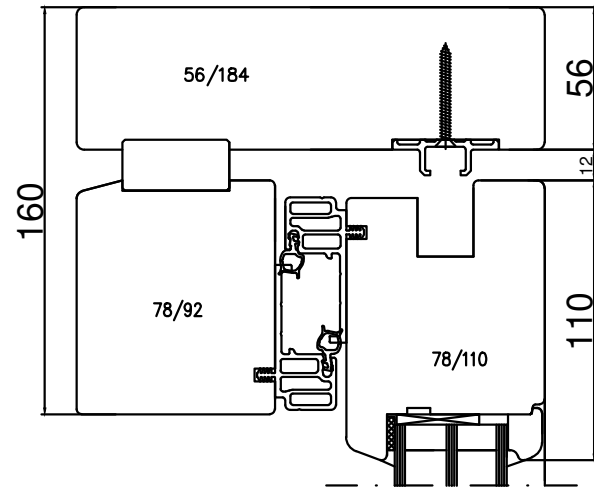


# Performance range Lift and slides



## General Notes

DO NOT SCALE  
Retention of Copyright: Environmental Construction Products Ltd retain the copyright of this document. Environmental Construction Products Ltd licenses the Purchaser to use and copy this document only for the Purchaser's own purposes subject to our Standard Conditions of Sale and to payment of all invoices according to agreed terms.

No.	Drawing Title
01	Performance Lift and slide
Last updated:	23/ 2/ 2018 LS

**green building store**  
 ® Windows Department  
 Green Building Store  
 Heath House Mill,  
 Heath House Lane,  
 Golcar, Huddersfield  
 HD7 4JW  
 Tel: 01484 463336  
 Email: [windowenquiries@greenbuildingstore.co.uk](mailto:windowenquiries@greenbuildingstore.co.uk)