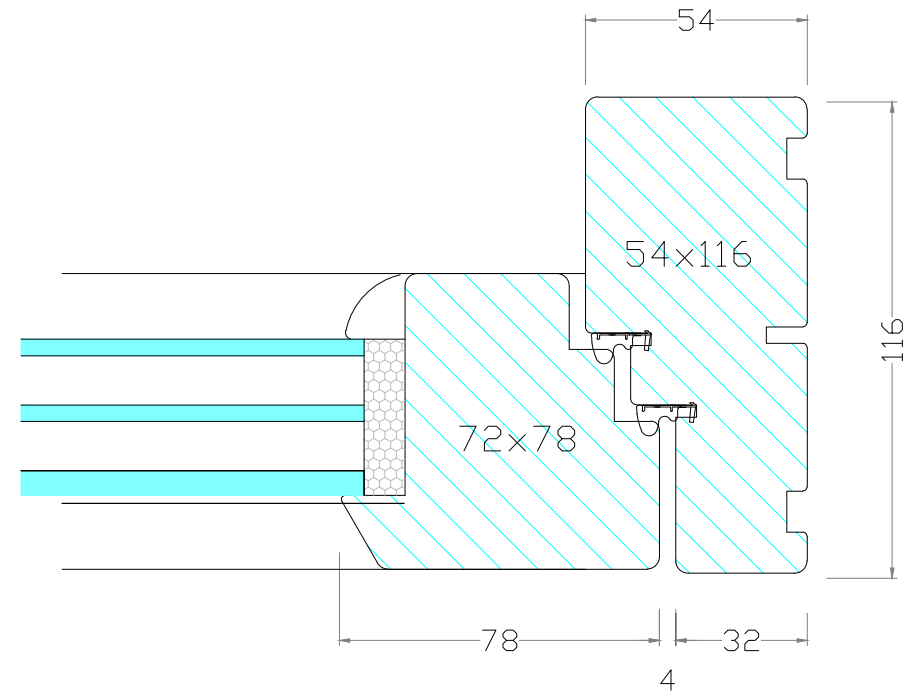
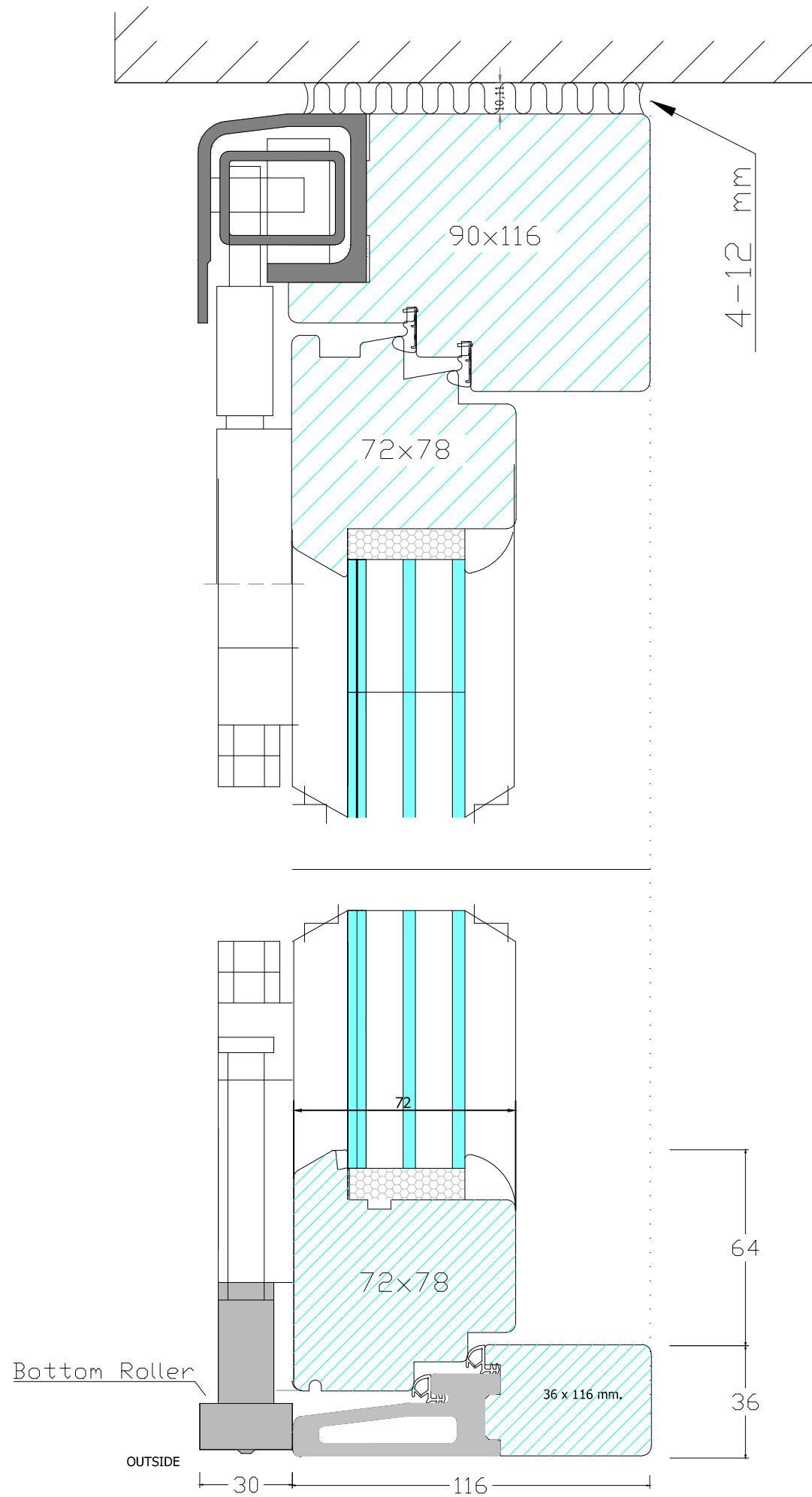



Drawing Title: Lacuna Classic Out.dwg

General Notes:

DO NOT SCALE  
 Retention of Copyright: Environmental Construction Products Ltd retain the copyright of this document. Environmental Construction Products Ltd license the Purchaser to use and copy this document only for the Purchaser's own purposes subject to our Standard Conditions of Sale and to payment of all invoices according to agreed terms



Drawing Title: Lacuna Classic Out.dwg	Last Updated: 01/ 1/ 2023	LS
 <p><b>Making buildings better</b>          Products and support for energy efficient homes and buildings.</p>	Contact us: Phone: 01484 463336 Web : <a href="http://www.greenbuildingstore.co.uk">www.greenbuildingstore.co.uk</a> Email: <a href="mailto:windows@greenbuildingstore.co.uk">windows@greenbuildingstore.co.uk</a> Social:     	Green Building Store Heath House Mill Heath House Lane Golcar, Huddersfield West Yorkshire HD7 4JW