

®

green  
building

store

# High performance windows and doors



**From the experts of low energy homes**



# Comfort Matters

At Green Building Store, we believe you thrive in the places where you experience comfort.

Discover our range of high performance windows & doors for low energy and Passivhaus homes. We improve the very fabric of your building, making it energy efficient and a healthier and more comfortable place to be.

## Making the difference

Our most energy efficient windows and doors introduce a slimmer frame whilst maintaining dual compression seals for achieving high airtightness standards. Make a genuine difference to the comfort of your home by keeping your home warm during the colder months and cooler during the summer.

So, trust in our 30 years of experience helping people create energy efficient dream homes. Let us be part of your team, and we'll be with you every step of the way, delivering comfort by making buildings better.



Andy Mitchell,  
Managing Director



Luke Gilman,  
Window Department  
Manager

# Shepherds Barn

*"It's great to work with the knowledgeable Green Building Store team who offered excellent customer service for the project".*

*Mark Siddall - architect*



Energy Efficiency Standard  
EnerPHit Plus

Project type  
Retrofit

Architect  
Mark Siddall @ LEAP

Window and doors specified

- Inward opening tilt and turn windows
- Entrance doors
- Lacuna outward opening bi-fold door



# Sandall House

We specified Green Building Store's range because we wanted to achieve a really high level of comfort and efficiency for our clients. The windows really are a key feature in this compact design.

Claire Taylor, HEM Architects



Energy Efficiency Standard  
Low energy

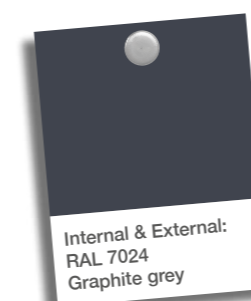
Project type  
New build

Architect  
Claire Taylor @ HEM Architects

Photography  
Dug Wilders

Window and doors specified

- Inward opening tilt and turn windows
- Entrance doors
- Lift and slide door



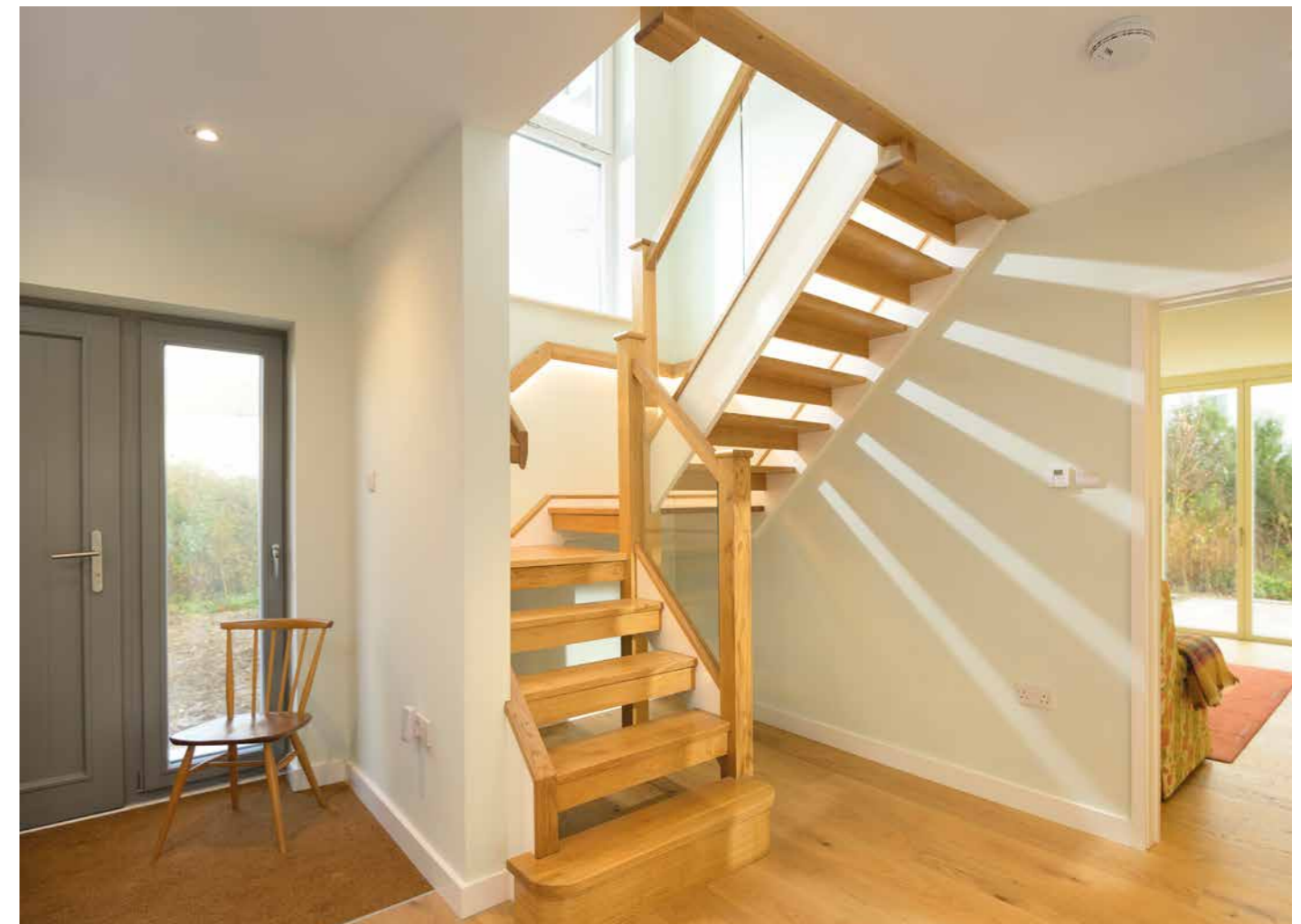
# New Forest Transformation

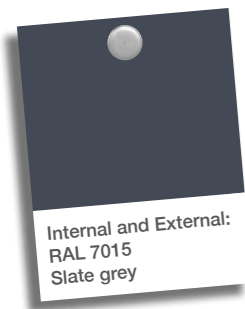
*"The windows and doors are very elegant and deliver the high thermal and airtightness performance needed to achieve the EnerPHit standard".*

*Ruth Butler, Architect*



Energy Efficiency Standard <b>EnerPHit</b>
Project type <b>Retrofit</b>
Architect <b>Ruth Butler @ Ruth Butler Architects</b>
Passivhaus Designer <b>Julian Sutherland @ Cundall</b>
Photography <b>Peter Langdown</b>
Window and doors specified <ul style="list-style-type: none"> <li>• Inward opening tilt and turn windows</li> <li>• Entrance doors</li> <li>• Lacuna bi-fold doors</li> </ul>





Internal and External:  
RAL 7015  
Slate grey

## Swn-y-Nant

*“Visitors comment on the warmth, comfort and quietness of the house, which the windows and doors make a big contribution to”.*

**Client**

Energy Efficiency Standard  
**Ultra-low energy**

Project type  
**New build**

Architect  
**Simmonds Mills**

Window and doors specified

- Inward opening tilt and turn windows
- Single entrance doors
- Double entrance doors



Energy Efficiency Standard  
Low energy

Project type  
New build

Architect  
Lucy Mobbs @ Mobbs Architects

Window and doors specified

- Alu-clad inward opening windows
- Contemporary door
- Fully glazed entrance doors
- Lift and slide door



# Suffolk Selfbuild

*"The aluminium-clad frames added aesthetic value and worked well with both the zinc and rendered wall finishes. We had great support from Green Building Store during the detailed design stage".*

*Lucy Mobbs, Mobbs Architects*



# The Orchard

*"The windows and doors from Green Building Store have been great. We're really pleased with them and we have found them to be good value".*

*Client*



Internal and External:  
RAL 7035  
Light grey

Energy Efficiency Standard  
Ultra-low energy

Project type  
New build

Architect  
Edwin Hill @ Hill Design

Window and doors specified

- Inward opening tilt and turn windows
- Single entrance doors
- Lift and slide door
- French door





# Commercial projects

## The Granary, Native Architects' office

"We specify Green Building Store's range of windows and doors regularly because they offer a good balance between cost and performance".

Andrew Neal  
Native Architects

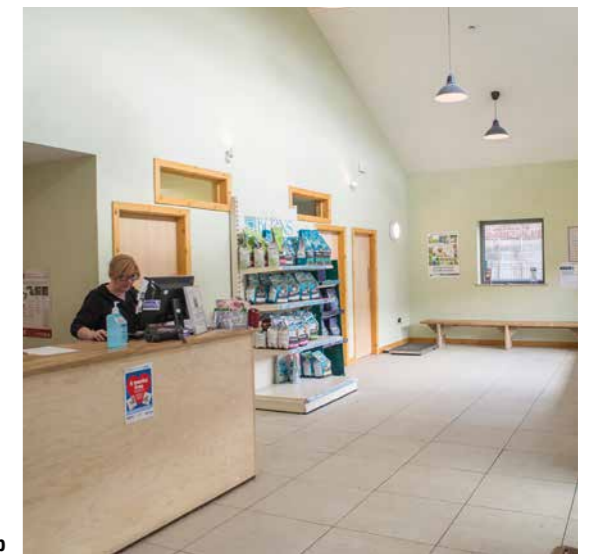
Designed by Native Architects



## Passivhaus Veterinary Centre, Wigan

"Having already experienced the comfort and performance of Green Building Store's windows and doors in my own home, it was an easy and simple decision to opt for them for the veterinary practice. I have been very pleased with how the windows and doors are performing and I appreciate their role in helping us to meet Passivhaus requirements".

Client



Designed by: PYC Group

## Squash Food Hub, Liverpool

"As we had opted for a super-insulated timber frame building, triple glazed windows fitted with the high performance criteria. Green Building Store's range also offered Secure by Design security options which was a key requirement for the project".

Marianne Heaslip - Urbed

Designed by: Urbed



# GBS-78

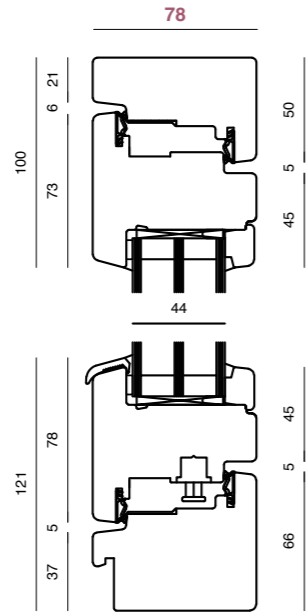
Suited to low energy projects

GBS-78 is an ideal choice for low energy projects, whether simply replacing your windows or specifying for a new home. With FSC® certified timber, low U values and a choice of designs and styles, this range will enhance your project at a competitive price. 78 refers to the depth of the window frame.



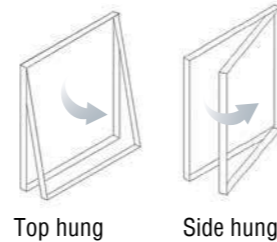
## Outward opening

A flush casement window hung from the top or side



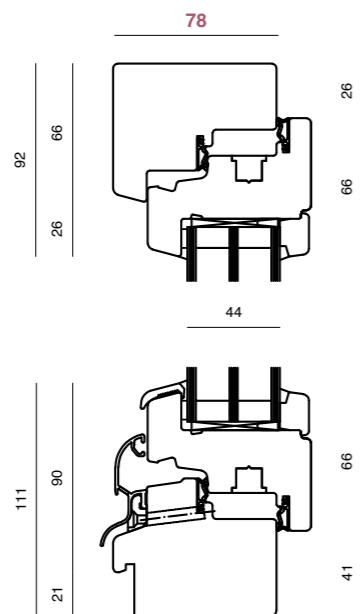
- **U value: 0.82 W/m<sup>2</sup>K**
- Triple unit: Argon fill 44mm
- Light transmission value: 73%
- Triple glazed as standard

### Opening styles



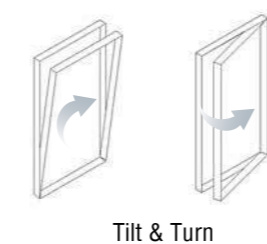
## Inward opening

Tilt and turn window options



- **U value: 0.80 W/m<sup>2</sup>K**
- Triple unit: Argon fill 44mm
- Light transmission value: 73%
- Triple glazed as standard

### Opening styles



**Outward opening typical maximum sizes:** Fixed light: 2500 x 2500 mm, Side hung: 950 x 1520mm, Top hung: 1300 x 1650 mm. For sizes beyond this, please speak to a member of our team

\*U values calculated for standard single window 1230 x 1480

# GBS-98

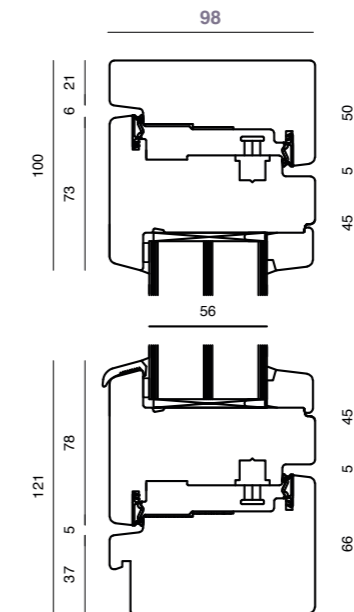
Suited to ultra-low energy projects including Passivhaus

GBS-98 has very low U values suitable for ultra-low energy builds including Passivhaus and EnerPHit projects. Still offering FSC certified timber, this frame delivers the triple glazing technology for the most energy efficient projects. 98 refers to the increased depth of the window frame.



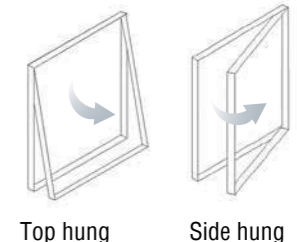
## Outward opening

A flush casement window hung from the top or side



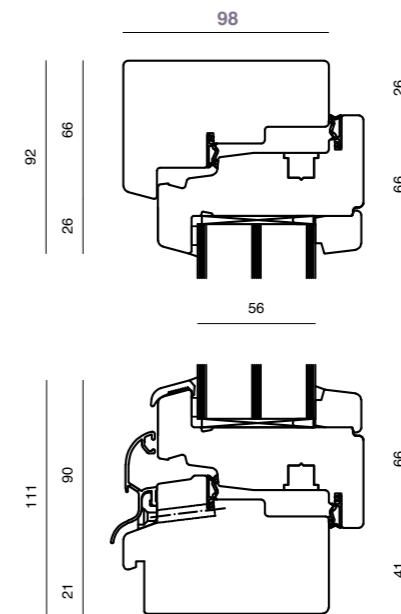
- **U value: 0.73 W/m<sup>2</sup>K**
- Triple unit: Argon fill 56mm
- Light transmission value: 73%
- Triple glazed as standard

### Opening styles



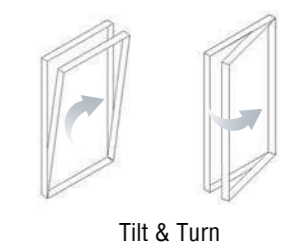
## Inward opening

Tilt and turn window options



- **U value: 0.71 W/m<sup>2</sup>K**
- Triple unit: Argon fill 56mm
- Light transmission value: 73%
- Triple glazed as standard

### Opening styles



**Inward opening typical maximum sizes:** Tilt & turn: 1300 x 2300 mm, Tilt only: 2000 x 950 mm or 1300 x 2300 mm. For sizes beyond this, please speak to a member of our team

\*U values calculated for standard single window 1230 x 1480

# GBS-78A

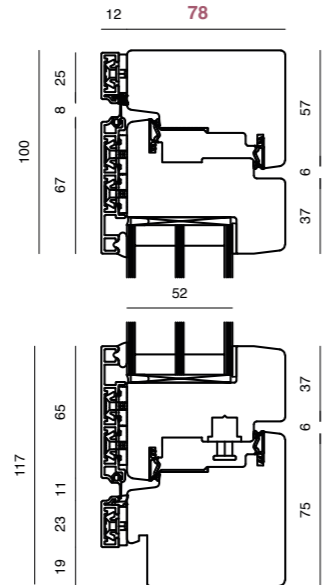
Suited to low energy projects

GBS-78A is an ideal choice for low energy projects. With FSC certified timber and low U values, the aluminium clad windows enhance the style and design of your project externally whilst maintaining the warmth and beauty of timber from the inside. 78 refers to the depth of the window frame (before aluminium cladding).



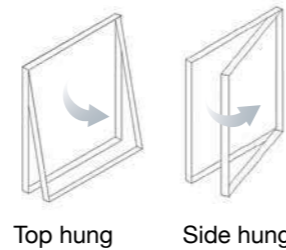
## Outward opening

A flush casement window hung from the top or side



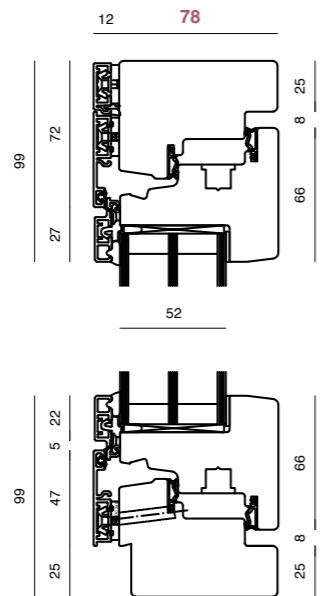
- **U value: 0.76 W/m<sup>2</sup>K**
- Triple unit: Argon fill 52mm
- Light transmission value: 73%
- Triple glazed as standard

### Opening styles



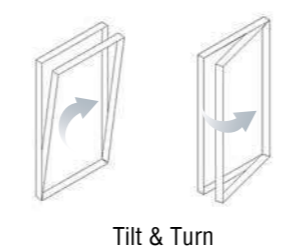
## Inward opening

Tilt and turn window options



- **U value: 0.75 W/m<sup>2</sup>K**
- Triple unit: Argon fill 52mm
- Light transmission value: 73%
- Triple glazed as standard

### Opening styles



**Outward opening typical maximum sizes:** Fixed light: 2500 x 2500 mm, Side hung: 950 x 1520mm, Top hung: 1300 x 1650 mm. For sizes beyond this, please speak to a member of our team

\*U values calculated for standard single window 1230 x 1480

# GBS-98A

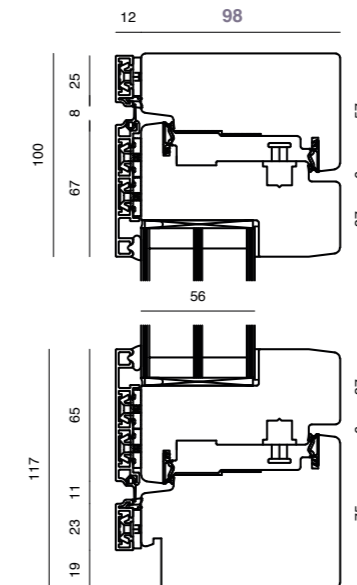
Suited to ultra-low energy projects including Passivhaus

GBS-98A has very low U values suitable for ultra-low energy builds including Passivhaus and EnerPHit projects. Our aluminium clad windows enhance the style and design of your project externally whilst maintaining the warmth and beauty of timber from the inside. This frame delivers the triple glazing technology for the most energy efficient projects. 98 refers to the increased depth of the window frame (before aluminium cladding).



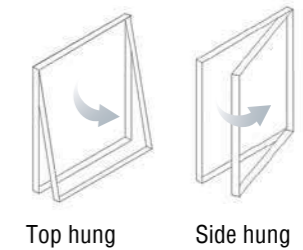
## Outward opening

A flush casement window hung from the top or side



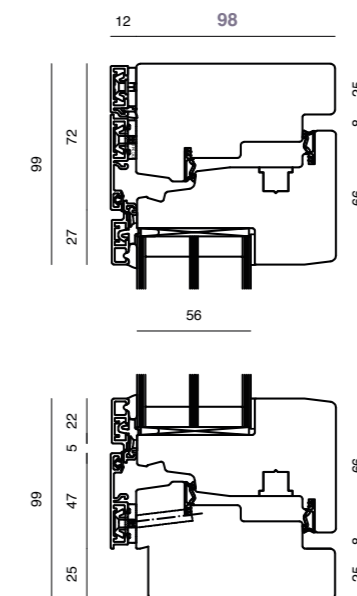
- **U value: 0.73 W/m<sup>2</sup>K**
- Triple unit: Argon fill 56mm
- Light transmission value: 73%
- Triple glazed as standard

### Opening styles



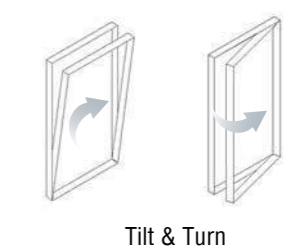
## Inward opening

Tilt and turn window options



- **U value: 0.72 W/m<sup>2</sup>K**
- Triple unit: Argon fill 56mm
- Light transmission value: 73%
- Triple glazed as standard

### Opening styles



**Inward opening typical maximum sizes:** Tilt & turn: 1300 x 2300 mm, Tilt only: 2000 x 950 mm or 1300 x 2300 mm. For sizes beyond this, please speak to a member of our team

\*U values calculated for standard single window 1230 x 1480

# Entrance doors



RAL 6003 Olive green



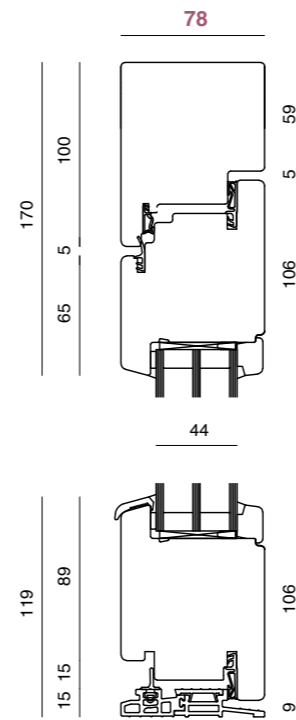
RAL 7021 Anthracite grey



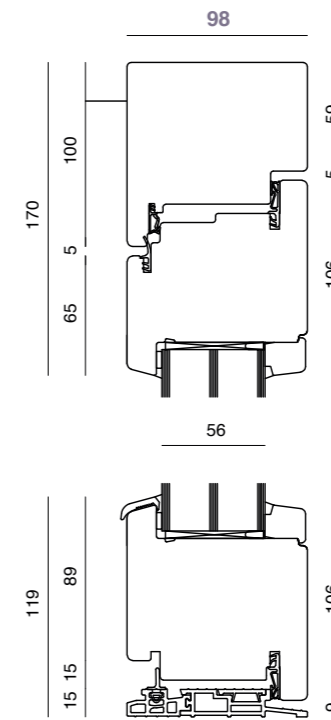
RAL 5000 Violet blue

## Inward Opening Timber

### GBS78

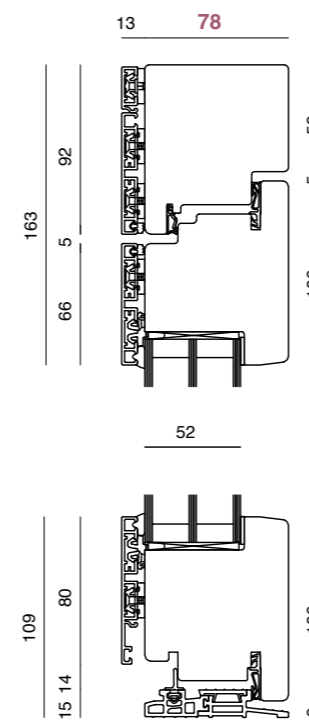


### GBS98

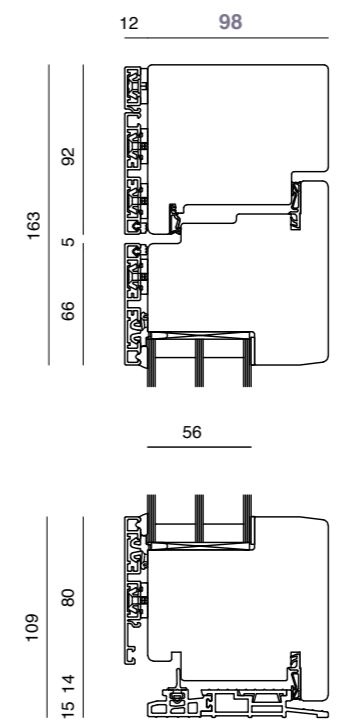


## Inward Opening Aluclad

### GBS78A



### GBS98A



- U values as low as 0.82 W/m<sup>2</sup>K
- Inward and outward opening entrance doors
- A range of standard and contemporary designs
- Aluminium-clad doors available
- Insulated frame option
- Dual compression seals for long-term airtightness
- Secured by Design option

## Accessibility

Building regulation Part M requires at least one entrance door in a new build dwelling to allow mobility access. To comply with Part M a door needs to have a mobility threshold and a clear opening width of 775 mm. Green Building Store supplies our single and double doors with a Part M compliant threshold, as standard. We can however add various sizes of hardwood thresholds if requested.

To get the 775 mm clear opening required for new build dwellings, the minimum manufactured width of our GBS-78 door, including the frame, is 1030 mm and our GBS-98 door is 1050 mm. For commercial buildings and some social housing schemes the clear opening required may be bigger and in these instances the manufactured width of our doors may need to increase accordingly.

Please speak to a member of the windows team if you need further explanation or to check which regulations apply to your project.

Please note: For retrofit projects Part M does not apply unless the building is classed as change of use.

For the CAD drawings of our outward doors, please visit the website.





## Lift + Slide

**One pane of the door slides behind the other, with options for one pane or both panes sliding.**

- U value as low as: 0.73 W/m<sup>2</sup> K
- One of the most energy efficient lift & slide doors available in the UK
- Ideal for low energy retrofits and newbuilds
- Aluminium clad doors available
- Dual compression seals for long term airtightness
- CAD drawings available on request
- Max height 2450 and max width 2500 per pane



## French doors

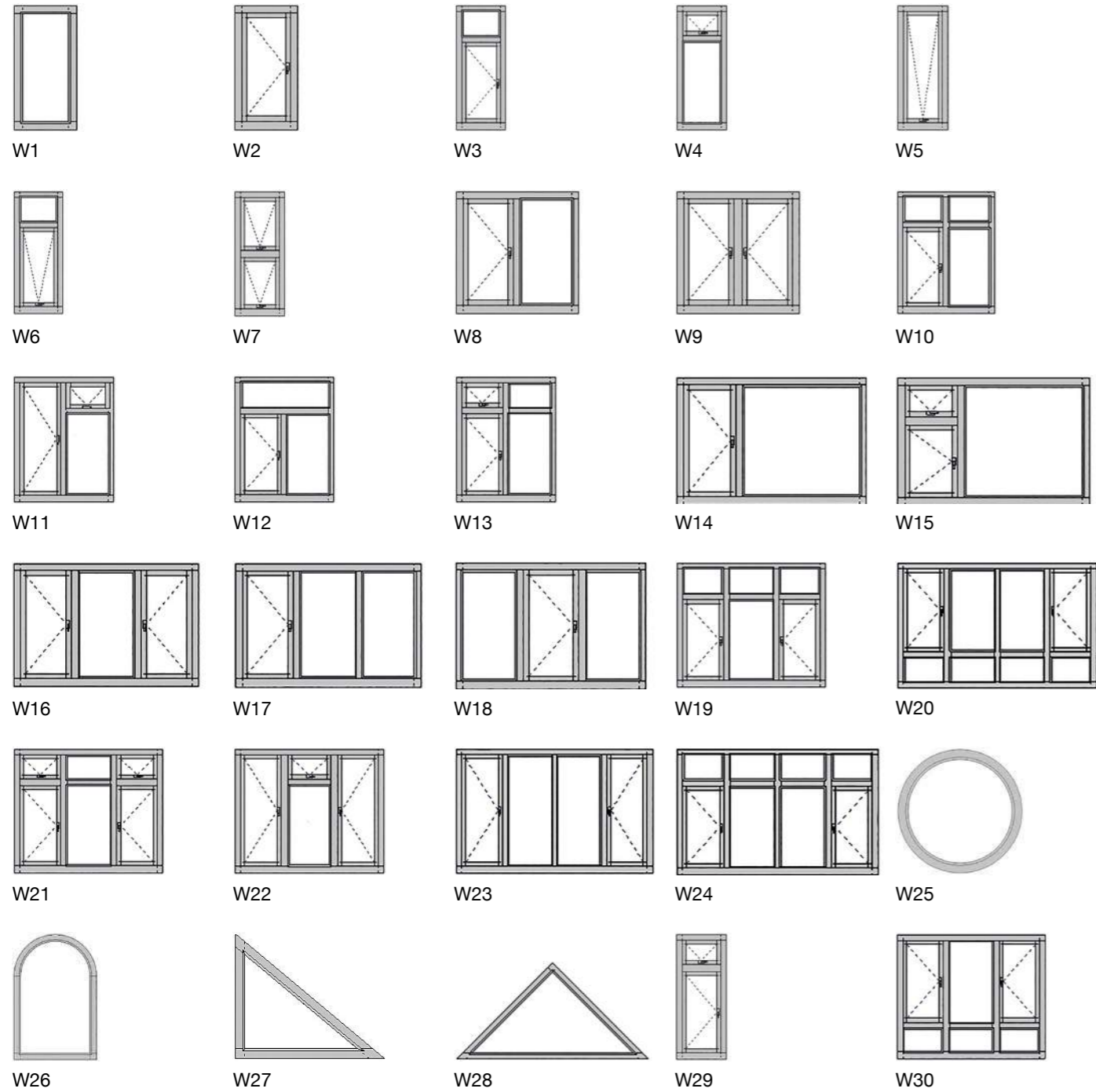
**Inward or outward opening double doors.**

- U value as low as: 0.79 W/m<sup>2</sup> K
- Ideal for low energy retrofits and newbuilds
- Aluminium clad doors available
- Dual compression seals for long term airtightness
- CAD drawings available on request
- Maximum size 2200mm x 2400mm



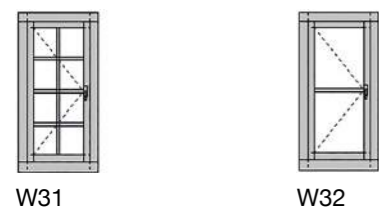
# Window Styles

The simpler the window design the better the thermal performance, and the lower the cost.



## Glazing bars

Many more glazing bar designs are available.



GBS window images are shown as the European notation, so viewed from the inside with 'V' notation indicating the handle side. This is different from the standard UK notation.

# Door Styles

Many more window and door styles available, please ring us on 01484 463336 to discuss.

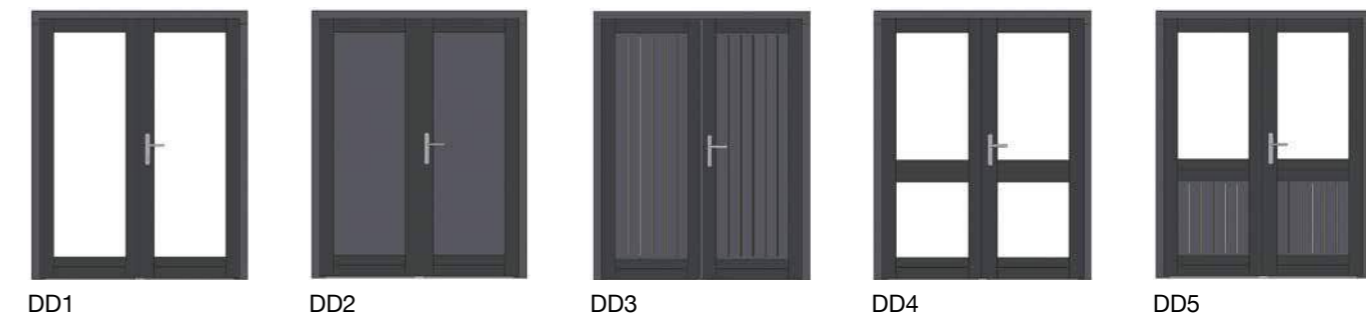
## Standard



## Contemporary (available in GBS-98 and GBS-98A)



## French doors



# Glazing



**Solar control glazing** to reduce the risk of over-heating.



**Acoustic glazing** to reduce sound levels from external environment.

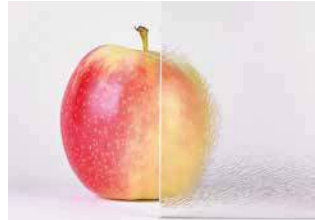


**Toughened or laminated safety glass** to meet building regulation safety requirements.



**Self-cleaning glass** ideal for large facades where cleaning is difficult.

## Obscure glazing samples



Chinchilla



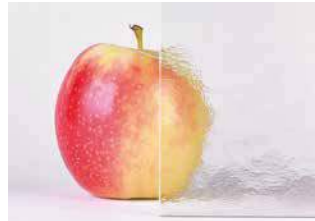
Crepì



Flutes



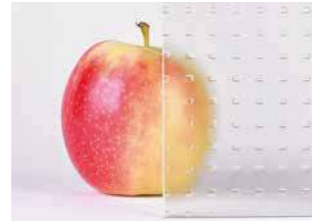
Flutes Matt



Kathedral



Kura



Mastercare



Niagra



Puntaedo



Screen



Simple obscure



Waterdrop

## Trickle Vents



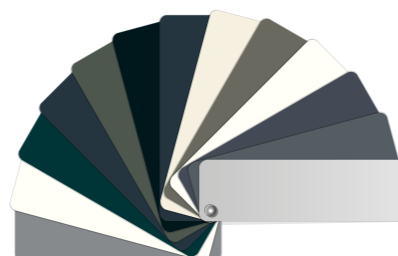
Conventional trickle vent

## Accoya drip rail



Colour matched to any RAL colour.

## Frame finishes



Your windows and doors can be finished in a choice of RAL colours or timber stains.

# Hardware

Most handles are compatible with our windows and doors so if you are looking for something a bit different to what is shown please get in touch with the windows team and we will be able to find something to suit your needs. All handles shown below are available in a range of colours.

## Standard



Outward, in Polished Gold



Outward, in Smokey Chrome



Inward, in Satin Chrome



Inward, in White

## Traditional



MonkeyTail in Satin Chrome



MonkeyTail in Pewter



Pear Drop, in Antique Bronze



Pear Drop, in White

## Contemporary



in Satin Stainless Steel



in Satin Stainless Steel



in Satin Black



Pull Handle, in Stainless Steel

## Door handles



Standard Polished Gold



Traditional Balmoral Swan, in Antique Black



Contemporary Stainless Steel

For more colour and hardware options, go to: [greenbuildingstore.co.uk](http://greenbuildingstore.co.uk)

# Security

## What is Part Q?

Approved Document Q (Part Q) of the Building Regulations for England became mandatory for all new dwellings on 1 October 2016. This means that windows and doors in new dwellings, where Part Q is applicable, will need to be security tested to PAS 24, or equivalent standard.

## Where does it apply?

Part Q is applicable in England and Wales. It does not apply in Scotland which has separate requirements for security covered by Building Standard 4.13. In England and Wales, it applies only to new dwellings, which includes existing buildings with material change of use to new dwelling. It applies only to 'easily accessible doors and windows'.

## What does 'easily accessible' include?

Either a window or doorway, any part of which is within 2 m vertically of an accessible level surface such as the ground or basement level, or an access balcony, or a window within 2 m vertically of a flat or sloping roof (with a pitch of less than 30°) that is within 3.5 m of ground level.

## Secured by Design

Secured by Design (SBD) is a police initiative to increase building security. Windows and doors must be tested, have third party quality assurance and be registered. An SBD certified unit also provides compliance for Part Q.

## Green Building Store ranges

Windows and doors in the brochure marked SBD or Part Q have a compliant option available, which should be specified where necessary. Please enquire where not marked in the brochure.

This information is given as general guidance only and is not a definitive guide to these regulation. For full information please consult Approved Document Q of the Building Regulations which is free to download. Please consult us for more information.



# Sills

Extension sills protect and maintain windows by directing water away from the window frame.



**Stone bed connector** to connect to a stone sill. Available in any standard RAL colour.



**Aluminium extension sills** available in anodised silver or brown, or any standard RAL colour. Available in projections up to 400 mm for deep recessing into highly insulated walls.



**Timber sills** for windows & doors, available in Accoya.

# Safety



**'Egress hinges'** allowing means of escape for outward opening windows.



**Optional integrated child restrictor.**

# Technical Information

## In detail

Our window ranges offer contemporary styling whilst maintaining outstanding thermal performance, airtightness and security standards.

- Low U values**  
Argon filled triple glazing as standard for comfort and great thermal performance
- Airtightness**  
Dual compression seals ensuring long-term class 4 airtightness
- High security**  
Multipoint locking tested to Secure By Design standard



## Technical Summary

### Timber

Green Building Store windows and doors are made from FSC certified redwood or fair-faced oak, laminated and finger jointed to EN 204 D4.

### Finishes

Low maintenance microporous water-based finishes.

### Glazing

- Factory glazing
- High performance warm edge spacer

### Design

- Accoya drip rail to enhance durability and reduce maintenance
- Dual weather seals
- Extension sill groove option
- Window board groove option

## Warranties\*

**10** up to *year warranty*



Frames



Glazing



Hardware



Finishes

\*Subject to conditions and exclusions. Please note: we reserve the right to make changes to design and specifications of all products at any time without notice.

## Aftersales

We offer a friendly and responsive aftersales service for our windows and door ranges, with a dedicated office and on-the-road aftercare team.

Telephone 01484 463336 or email [windowaftersales@greenbuildingstore.co.uk](mailto:windowaftersales@greenbuildingstore.co.uk)



# Technical Information



	u value redwood modelled single opener 1230+25% x 1480	Secured by design option	Air permeability BS EN 12207: Achieved 600pa Class 4	Water tightness BS EN 12208	Wind load BS EN 12210	Exposure category BS 6375-1
<b>GBS78</b>						
Window outward	0.82	✓	✓	Class 9A	Class E2400	2400
Window inward tilt and turn	0.80	✓	✓	Class 9A	Class E2400	2400
Single entrance doorset	0.95	✓	✓	Class 9A	Class C3	1200
Double Doors	0.90	✓	✓	Class 9A	Class C3	1200
Lift and slide doorset	0.82	✓	✓	Class 9A	Class C3	1200
<b>GBS 78A</b>						
Window outward	0.76	✓	✓	Class 9A	Class E2400	2400
Window inward tilt and turn	0.75	✓	✓	Class 9A	Class E2400	2400
Single entrance doorset	0.87	✓	✓	Class 9A	Class C3	1200
Double Doors	0.82	✓	✓	Class 9A	Class C3	1200
Lift and slide doorset	0.75	✓	✓	Class 9A	Class C3	1200
<b>GBS 98</b>						
Window outward	0.73	✓	✓	Class 9A	Class E2400	2400
Window inward tilt and turn	0.71	✓	✓	Class 9A	Class E2400	2400
Single entrance doorset	0.84	✓	✓	Class 9A	Class C3	1200
Double Doors	0.80	✓	✓	Class 9A	Class C3	1200
Lift and slide doorset	0.75	✓	✓	Class 9A	Class C3	1200
<b>GBS98A</b>						
Window outward	0.73	✓	✓	Class 9A	Class E2400	2400
Window inward tilt and turn	0.72	✓	✓	Class 9A	Class E2400	2400
Single entrance doorset	0.82	✓	✓	Class 9A	Class C3	1200
Double Doors	0.79	✓	✓	Class 9A	Class C3	1200
Lift and slide doorset	0.73	✓	✓	Class 9A	Class C3	1200

# Let us be part of your team

Join the thousands of customers who have already transformed their projects into warmer, energy efficient homes by installing our high performance triple glazing and doors.

Find comfort in knowing that our industry-leading experience has been honed over 30 years by working closely with homeowners, self-builders, architects and developers in the low-energy field.

We bring about value throughout your project, from refining technical details in your plans to tailoring installation to your project.

**Take a step towards a more energy-efficient home today and get in touch with our friendly experts on 01484 463336 or email [windows@greenbuildingstore.co.uk](mailto:windows@greenbuildingstore.co.uk)**





# We believe in better building

Delivering a low energy or Passivhaus building is complex, and you need a solution rather than a single product.

At Green Building Store, we are committed to using a whole house approach to provide better performing buildings from a comfort, cost and carbon perspective. We supply a range of specialist products and services, including triple glazed timber windows and doors, MVHR heat recovery ventilation, insulation, airtightness and building services.

We've worked hard to build a reputation for customer service, integrity and responsibility. We are committed to ensuring that

our products are of the highest quality, backed by industry accreditations, and specified by companies at the forefront of energy-efficiency construction. In choosing us, you can rely on expert consultation at every step of your project.

## Quoting policy

Due to the complexity of specifying our products, we have a minimum order policy. To realise the benefits of triple glazing, including the continuity of thermal performance, we only recommend replacing windows throughout all of your home for replacement or retrofit projects.

## Viewing our windows and doors

Visit us at our showrooms in Huddersfield and Swindon or catch us at exhibitions around the UK.

Alternatively, our Sales Manager, Mike Shufflebotham can arrange to bring window samples to you, by arrangement.

**Tel 01484 463336**  
**windows@greenbuildingstore.co.uk**



**greenbuildingstore.co.uk**

01484 461705  
 info@greenbuildingstore.co.uk

Heath House Mill, Heath House Lane, Golcar,  
 Huddersfield HD7 4JW.



The paper used to make this brochure is 100% recycled and carbon offset



Green Building Store, an Efficient Building Solutions Business