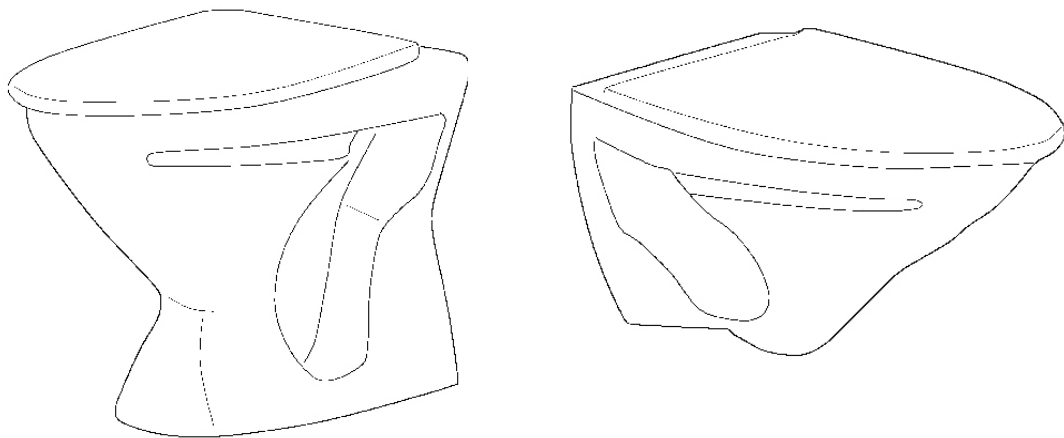


The Ifö ES4 WC

Important Installation and Maintenance Notes



UK spares, sales and support:-

The Green Building Store

Unit 6, Heath House Mill, Heath House Lane, Golcar, Huddersfield, HD7 4JW, UK.

www.greenbuildingstore.co.uk

Tel: 01484 461705

green
building
store

Ifö Cera ES4 with 4 litre siphon cistern.

Installation of wall-hung (3875, 6875) and back-to-wall (3876) pans with concealed cistern. The Ifö Cera ES4 has been engineered for high efficiency so extra care is required to ensure performance is not compromised by incorrect installation.

There are six critical settings which ensure the best performance of the ES4:

- The flush handle must be 500mm above the pan top for optimum flush performance.
- The blue inlet valve reservoir must be fixed in the middle (4th) hole of the inlet valve bracket to set the water level to the 4.0 litre mark in the cistern.
- The inlet valve float sets the time delay before refilling. Raising the float reduces the delay which should be set to between 3 and 5 seconds.
- The flush pipe must enter only 50mm into the siphon downleg.
- The hinges on the seat must face the right way so the seat can stay up when required.
- The flush lever must be set horizontal when at rest

Pre-installation checklist

- Allow for access to the soil and flush pipe connectors. For public installations a service duct is ideal; other options are illustrated on the page 4.
- Ensure wall-hung pans are mounted rigidly using appropriate brackets (e.g. ES CIB cast iron brackets and bolt kit) or TDILLB mounting frame. Note that the cast iron brackets provided as standard are supplied 'as cast' and must be shimmed square or bedded on mortar.
- The pan outlet is 102mm for connection to the soil pipe with a standard WC pan connector.

Installation

The cistern is designed to be fixed flat to the wall with suitable rust resistant screws (not supplied) using the holes provided. Cisterns can be fitted right or left hand but the handle must be on the opposite side from the inlet valve.

WARNING

No sealing compound, paste, flux or solvent to be used in contact with plastic or rubber surfaces, to avoid damage to plastic components. Rubber washers should provide adequate seal. PTFE tape may be used on threads. Do not overtighten plastic nuts.

Cistern Assembly

1 - Fit the siphon with rubber washer inside cistern. Secure with 1 1/2" BSP back nut. Before fixing the cistern to the wall, it is advisable to fit the remainder of the internal components.

2 - Insert flush pipe into tail of siphon with thin cone (compression) ring in place. Hand tighten cap nut. Depending on the height of cistern from floor, it may be necessary to cut the flush pipe. Remove traces of burr. No more than 50mm (2") to be inserted into siphon down leg. (To convert the ES4 to Du-oflush (2.7 l partial flush) see separate enclosed instructions.

3 - Cistern height relative to the pan is critical to ensure

efficient flushing but without splashing over the pan rim. The pan is supplied with a plastic flow diverter in the flush inlet. This is retained by the rubber flush pipe connector.

Inlet Valve

The Torbeck Ecofil inlet valve (unique to the ES4!) must be fitted at the opposite side of the cistern to the flush handle. The blue reservoir should be assembled with the green pegs in the middle hole (4th from the bottom) of the valve bracket as this sets the top water level. To set the delay before start of cistern refill, adjust the float. Lowering the float increases the delay. 3–5 seconds is ideal.

Overflow

If an internal overflow is required, seal the external warning pipe holes in the side of cistern with supplied plug and sealing washer, and omit the external warning pipe connectors. For an external overflow warning, the pipe connector is fitted from inside the cistern and secured with flange nut.

Lever Assembly

Secure lever shaft with plastic back nut. Connect 'C' link to lift arm, then slide arm onto lever shaft and tighten screw. Ensure lift arm is in line with 'C' link and piston plunger rod. Ensure free movement of cistern lever. Secure with plastic back nut. Ensure lever is horizontal.

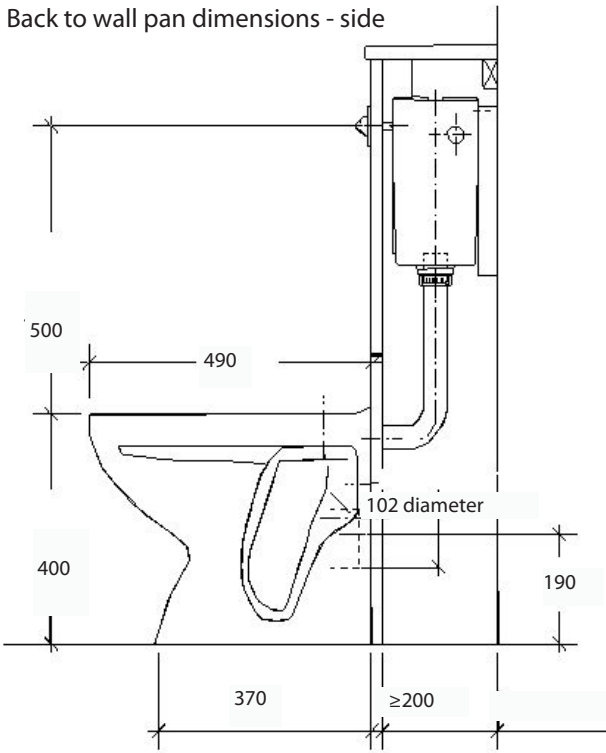
Seat

Follow the instructions on the box ensuring the hinges face the correct way and the seat locates centrally on the pan rim.

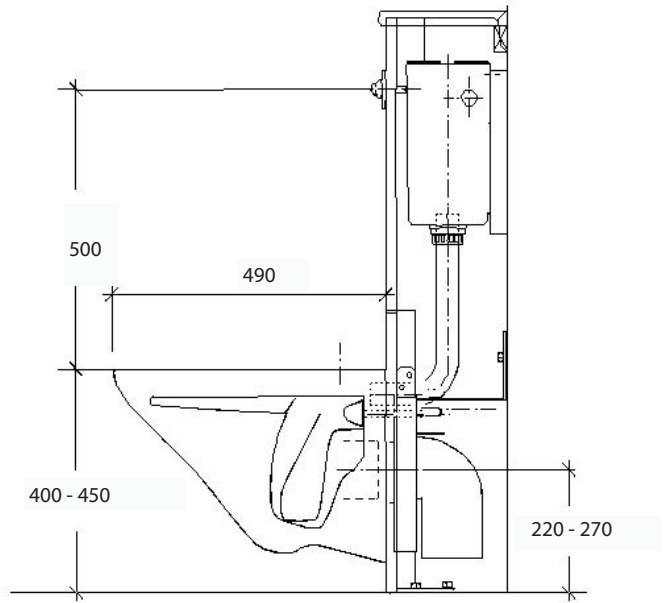
Final check

- Check for leaks.
- Check seat alignment and that seat stays up.
- Test for an effective flush by ensuring that flush water washes the whole pan area.
- Check the refill delay is set to 3-5 seconds.

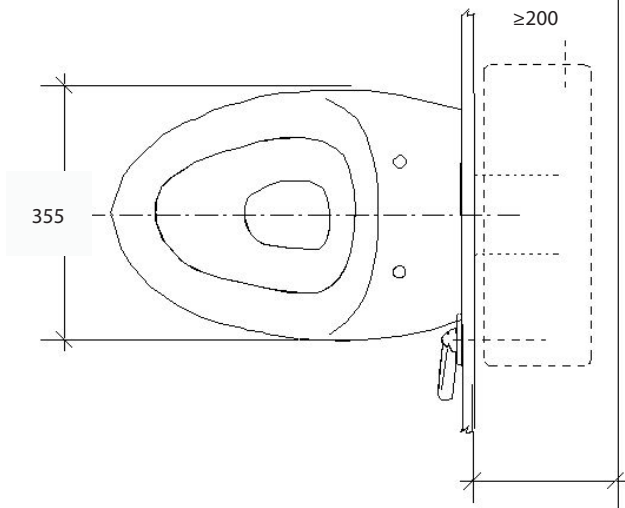
Back to wall pan dimensions - side



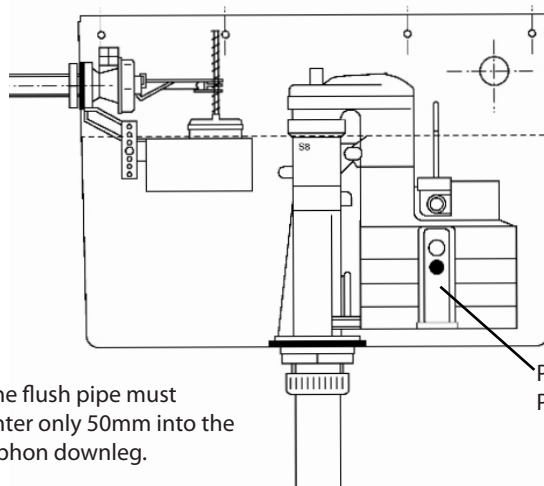
Wall hung pan dimensions - side



Pan dimensions - top



Green peg in middle (4th) hole. Cistern water level should be at 4.0 l mark. Adjust float for 3-5 second delay before fill begins



500 mm from top of pan to flush handle spindle.

The flush pipe must enter only 50mm into the siphon downleg.

Plug in top hole for 4.5 litres. Plug in lower hole for 4 litres.

Installation suggestions - for good access (Various access points shown. Not all to be used in each installation!)

Inspection panel on side of cistern cabinet

Panel or door behind wall

Cupboard

Shelf for maintenance access

Removable front panel for full access

50 x 8 mm tell tale (drain or flush leaks).

